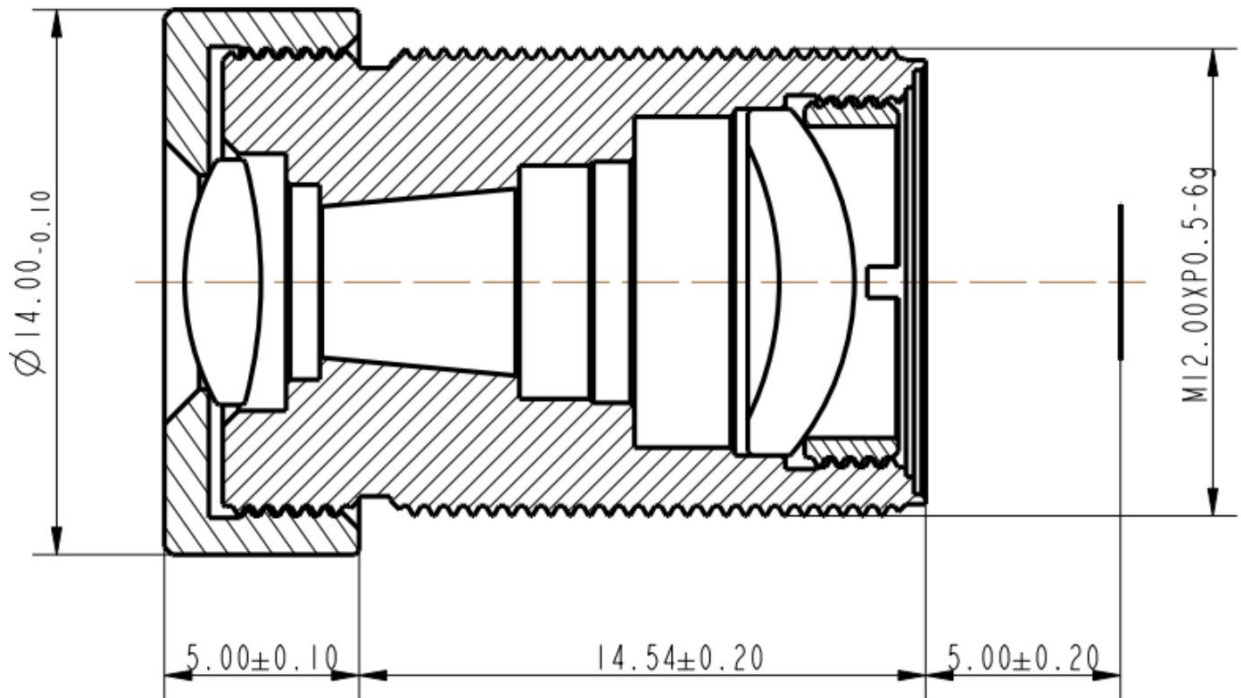


B12M25056S117ND



The S-Mount lens Lensagon B12M25056S117ND is suitable for current sensors up to 12 megapixel with an image format of 1/1.7 inch. Spectral Transmisson: 436-680 T>85%

Technical Data

Mount	S-Mount
Sensor	1/1.7 inch
Focal Length	25 mm
Aperture	5.6
MOD	0.1 m
Back Focal	6.527 mm
Angle of View	D:18.96° H:11.94° V:7.98°
Megapixel	12 MP
TV Distortion	0.132 %
Image Circle	9.8 mm
Iris	fixed
Focus	fixed
Chief ray angle	12.74 °
Typ	Standard

12 Megapixel

