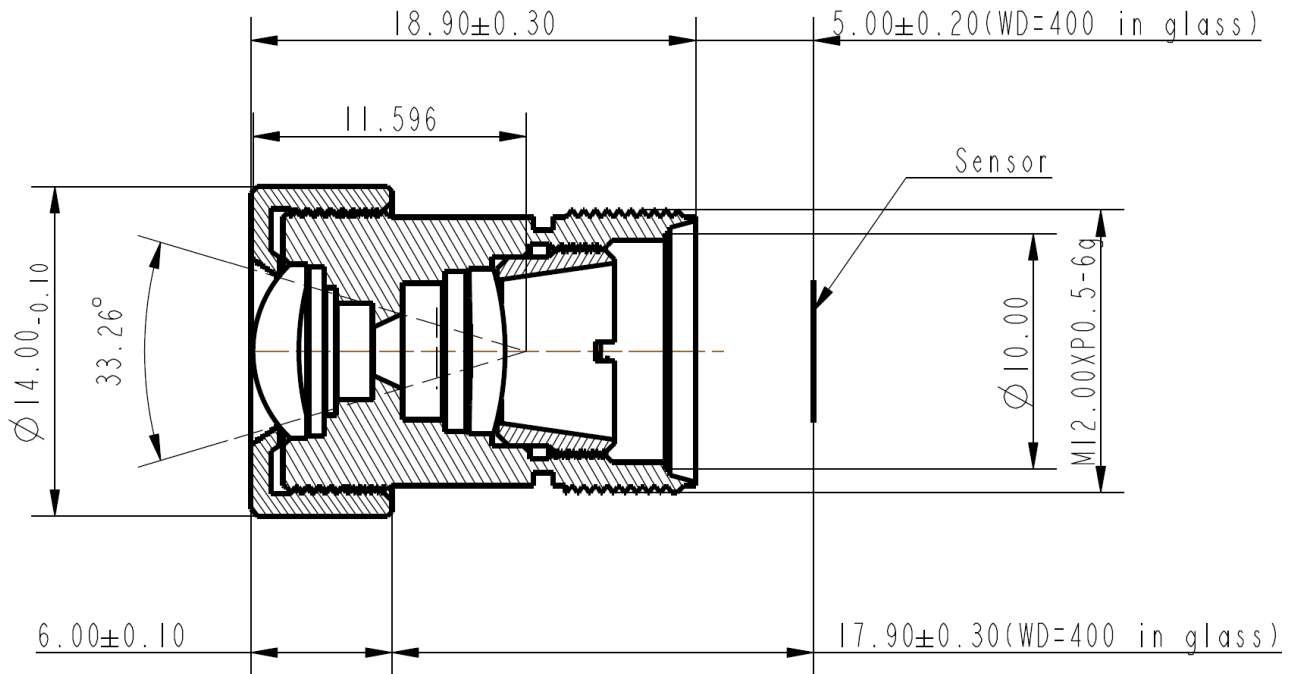


B12M16056S117ND



The S-Mount lens Lensagon B12M16056S117ND is suitable for current sensors up to 12 megapixel with an image format of 1/1.7 inch. Spectral Transmission: AT436-680nm T>85%

Technical Data

Mount	S-Mount
Sensor	1/1.7 inch
Focal Length	16 mm
Aperture	5.6
MOD	0.05 m
Back Focal	12.796 mm
Angle of View	D:30.22° H:20.36° V:13.64°
Megapixel	12 MP
TV Distortion	-0.289 %
Image Circle	9.8 mm
Iris	fixed
Focus	fixed
Chief ray angle	13.17 °
Typ	Standard

12 Megapixel

