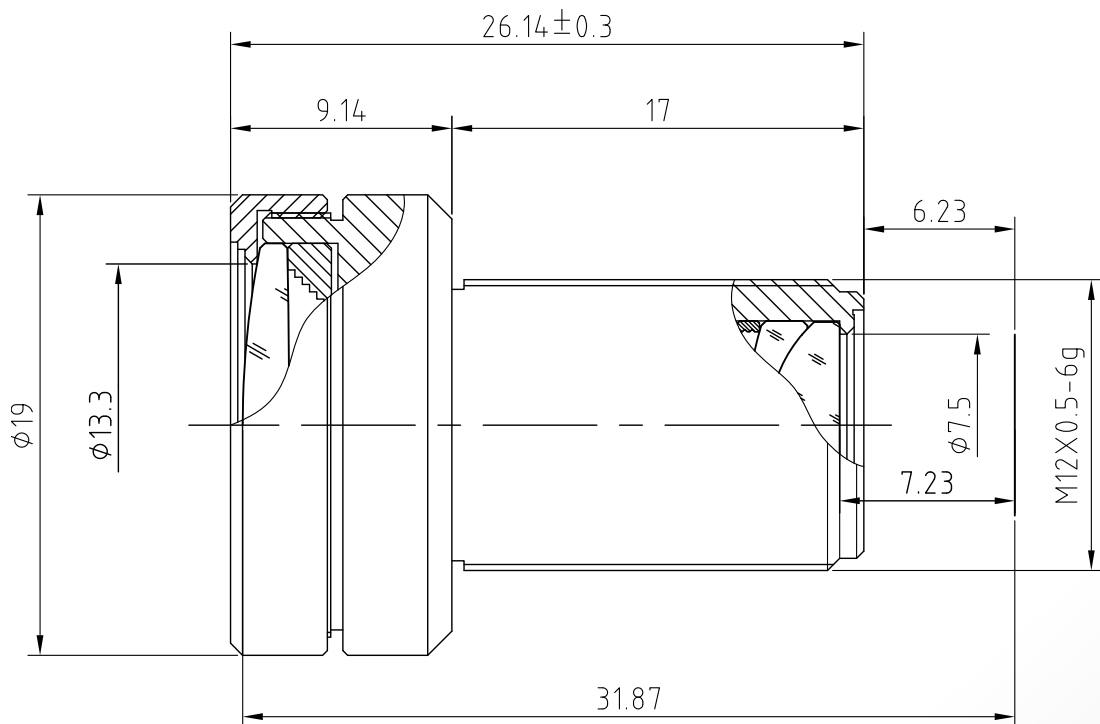


Lensagon B10M7224



The S-Mount lens Lensagon B10M7224 is suitable for current sensors up to 10 megapixel with an image format of 1/2.3 inch.

Technical Data

Mount	S-Mount
Sensor	1/2.3 inch
Focal Length	7.2 mm
Aperture	2.4
MOD	0.33 m
Back Focal	7.23 mm
Angle of View	D:57° H:47° V:37°
Megapixel	10 MP
IR Correction	Yes
Optical Distortion	1.5 %
Weight	11.9 g
Iris	fixed
Focus	fixed
Chief ray angle	6.8 °
Typ	Standard



10 Megapixel