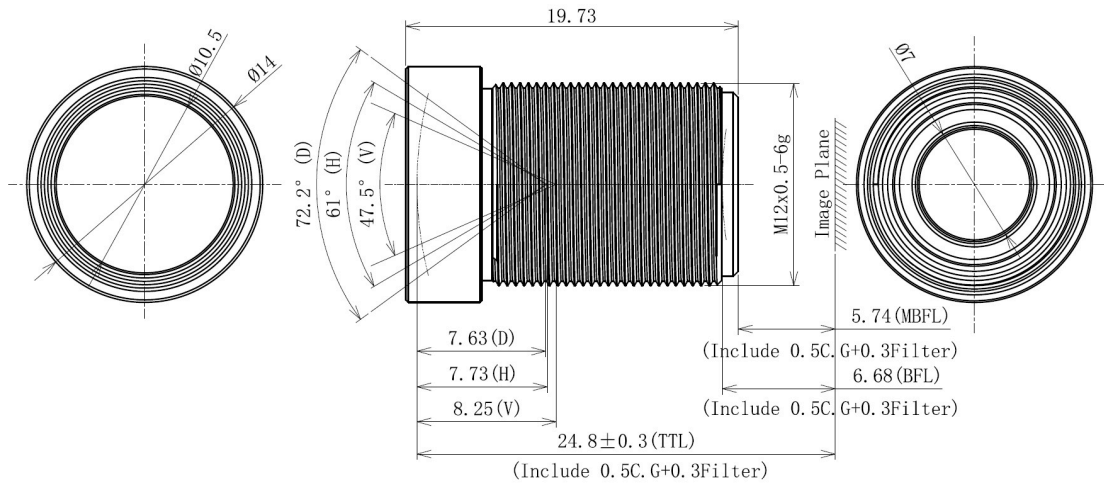


# B10M5428S123NDC



The S-Mount lens Lensagon B10M5428S123NDC is suitable for current sensors up to 10.0 megapixel with an image format of 1/2.3 inch.

## Technical Data

Serie	B10M
Mount	S-Mount
Sensor	1/2.3 inch
Focal Length	5.40 mm
Aperture	2.80
MOD	0.500 m
Back Focal	6.68 mm
Angle of View	D:72.20° H:61.00° V:47.50°
Megapixel	10.00 MP
IR Correction	No
IR Cut Filter	Yes
Optical Distortion	-1.70 %
Image Circle	7.90 mm
Weight	7.00 g
Iris	fixed
Focus	fixed
Chief ray angle	13.20 °



**10** Megapixel