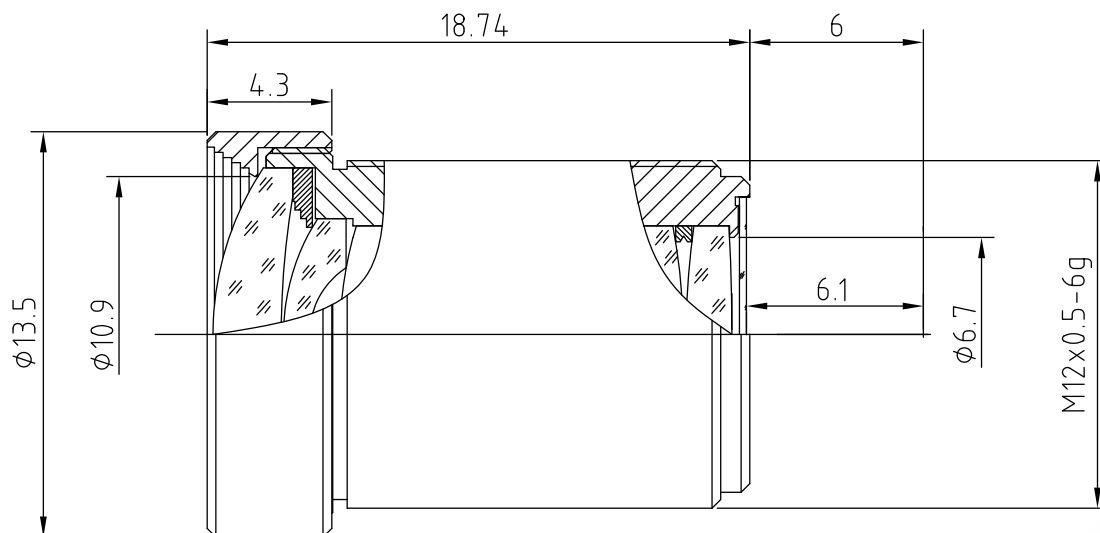


# Lensagon B10M5425C



The S-Mount lens Lensagon B10M5425C is suitable for current sensors up to 10 megapixel with an image format of 1/2.3 inch.

## Technical Data

Mount	S-Mount
Sensor	1/2.3 inch
Focal Length	5.4 mm
Aperture	2.5
MOD	0.2 m
Back Focal	6.1 mm
Angle of View	D:70° H:60° V:46°
Megapixel	10 MP
IR Correction	No
IR Cut Filter	Yes
Optical Distortion	-2 %
Image Circle	7.8 mm
Weight	6.6 g
Iris	fixed
Focus	fixed
Chief ray angle	10 °
Typ	Standard



**10** Megapixel