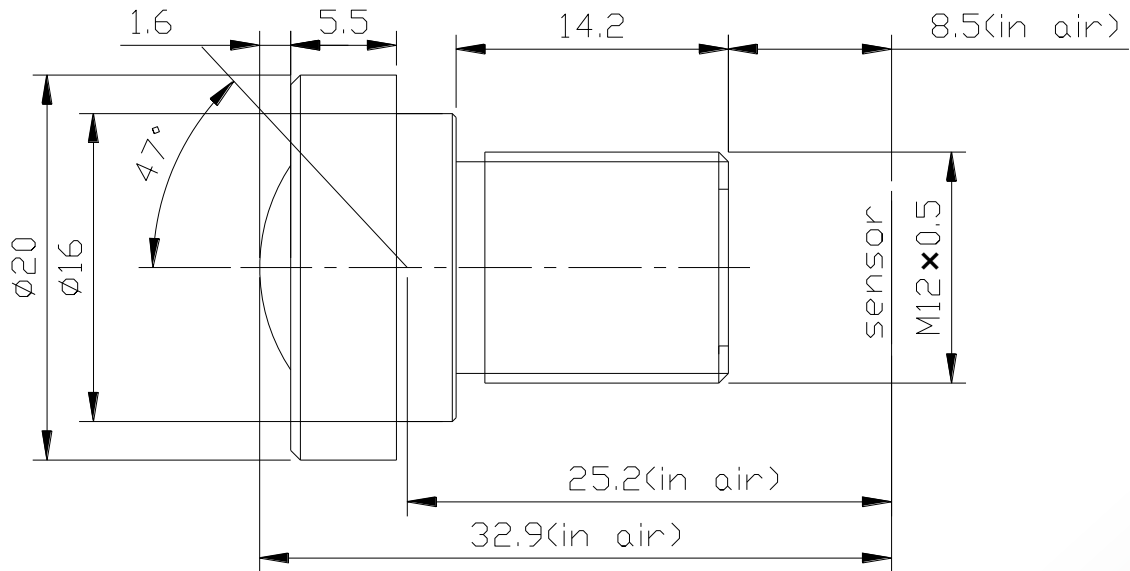


B10M5022S12



The S-Mount lens Lensagon B10M5022S12 is suitable for current sensors up to 10 megapixel with an image format of 1/2 inch.

Technical Data

Mount	S-Mount
Sensor	1/2 inch
Focal Length	5 mm
Aperture	2.2
MOD	0.3 m
Back Focal	8.83 mm
Angle of View	D:92° H:82° V:46°
Megapixel	10 MP
IR Correction	Yes
IR Cut Filter	No
Optical Distortion	-24 %
Weight	11.5 g
Iris	fixed
Focus	fixed
Typ	Standard



10 Megapixel