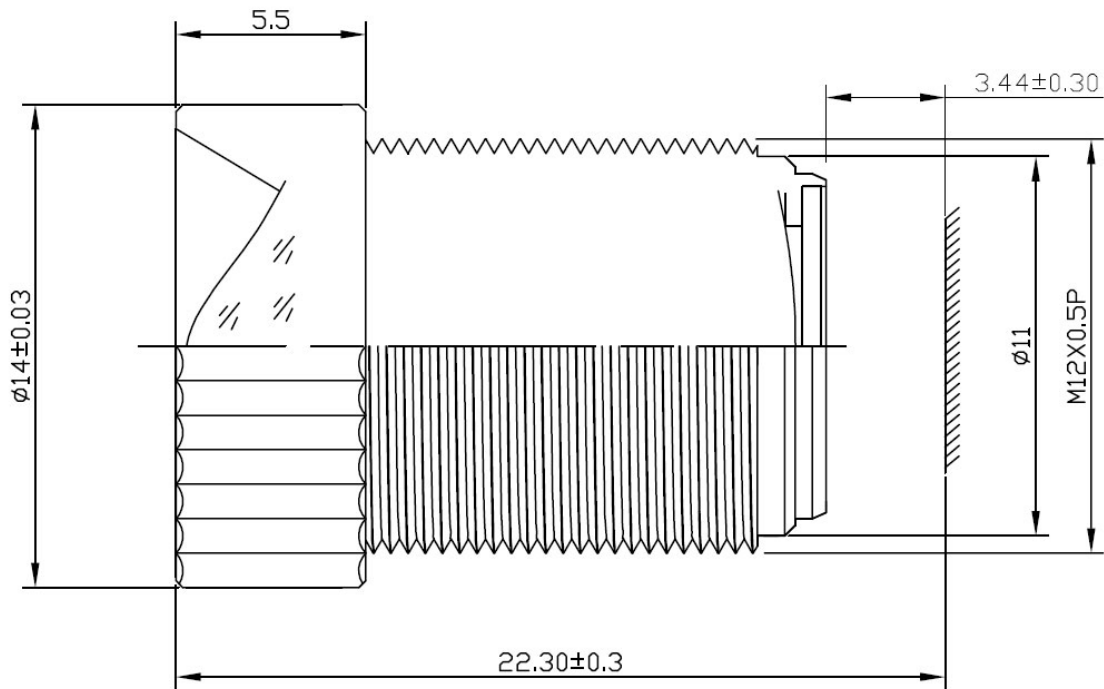


B10M45545NDC



The S-Mount lens Lensagon B10M45545NDC is suitable for current sensors up to 10 megapixel with an image format of 1/2.3 inch.

Technical Data

Mount	S-Mount
Sensor	1/2.3 inch
Focal Length	4.55 mm
Aperture	4.5
MOD	0.1 m
Back Focal	5.25 mm
Angle of View	D:81.7° H:67.5° V:53.3°
Megapixel	10 MP
IR Correction	No
IR Cut Filter	Yes
Optical Distortion	0.5 %
Weight	6.5 g
Iris	fixed
Focus	fixed

10 Megapixel

