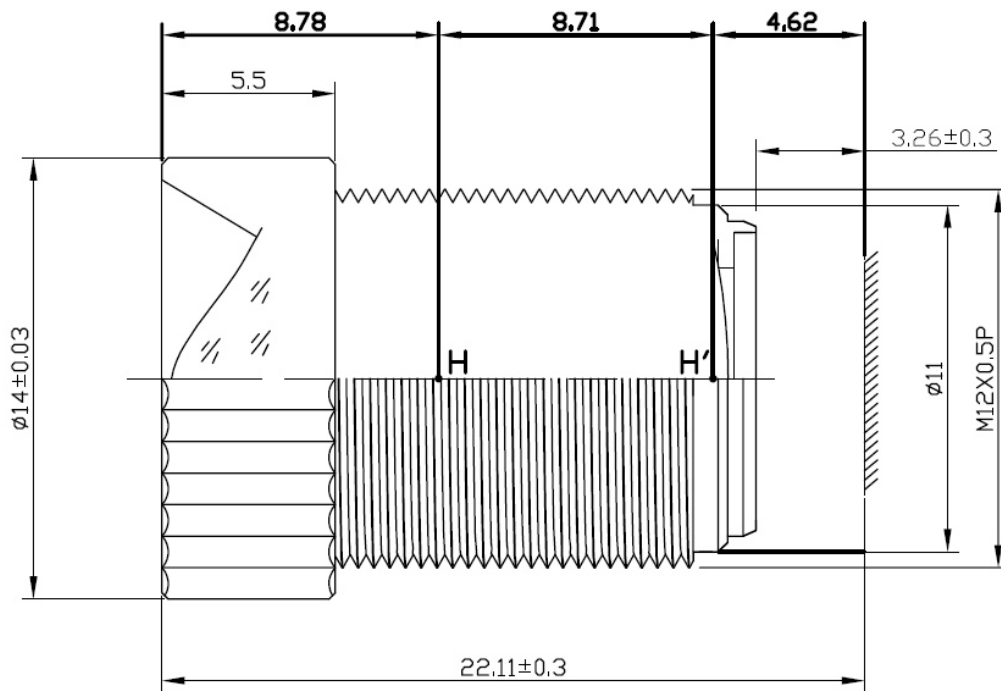


B10M45545ND



The S-Mount lens Lensagon B10M45545ND is suitable for current sensors up to 10 megapixel with an image format of 1/2.3 inch.

Technical Data

Mount	S-Mount
Sensor	1/2.3 inch
Focal Length	4.55 mm
Aperture	4.5
MOD	0.1 m
Back Focal	5.25 mm
Angle of View	D:81.7° H:67.5° V:53.3°
Megapixel	10 MP
IR Cut Filter	No
Optical Distortion	0.5 %
Image Circle	7.85 mm
Weight	6.5 g
Iris	fixed
Focus	fixed
Chief ray angle	14.73 °



10 Megapixel