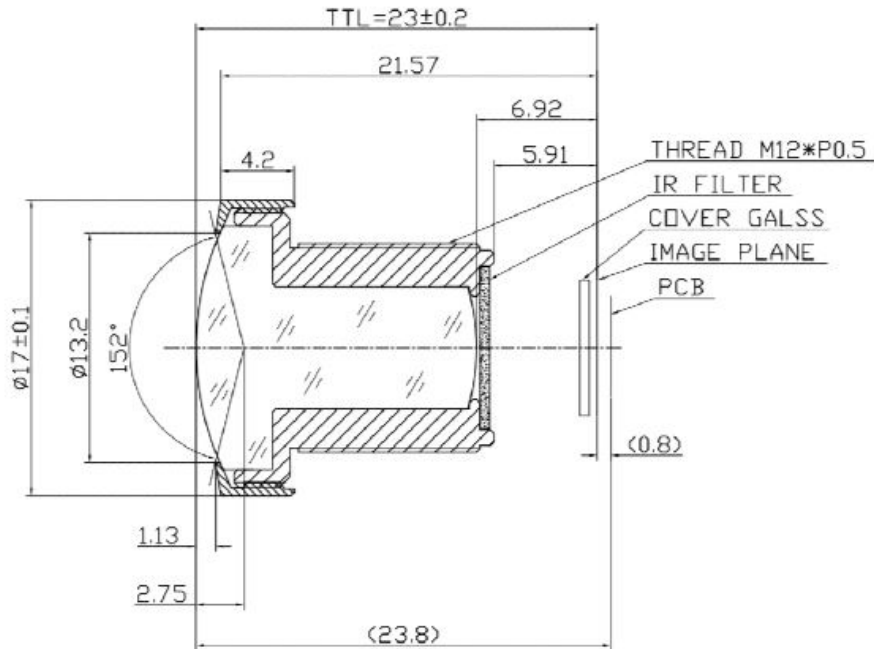


# B10M3218S123C



The S-Mount lens Lensagon B10M3218S123C is suitable for current sensors up to 10.00 megapixel with an image format of 1/2.3 inch. It is characterized by a particularly high light intensity.

## Technical Data

Mount	S-Mount
Sensor	1/2.3 inch
Focal Length	3.20 mm
Aperture	1.80
Back Focal	5.91 mm
Angle of View	D:152.00 H:117.00 V:86.00
Megapixel	10.00 MP
IR Cut Filter	Yes
Image Circle	8.20 mm
Weight	6.50 g
Chief ray angle	
Filter	640nm



Light Sensitive



10 Megapixel