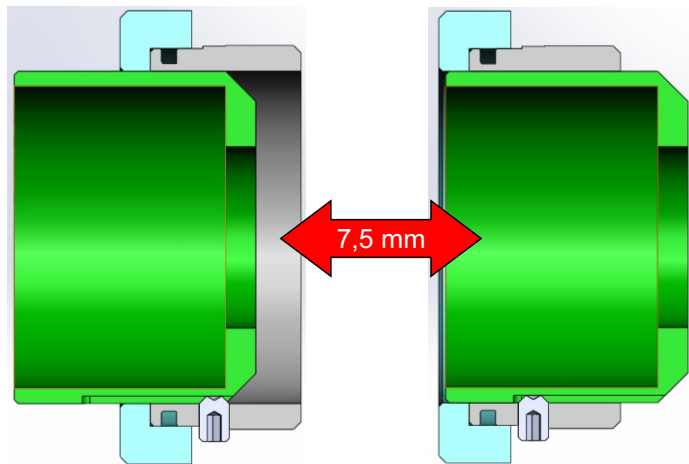
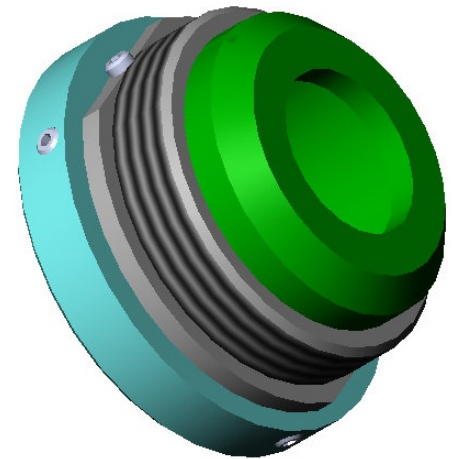
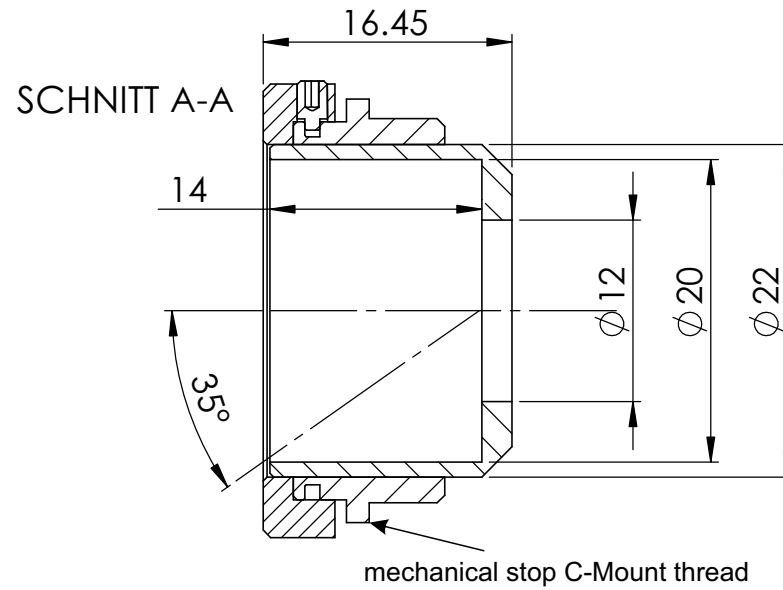
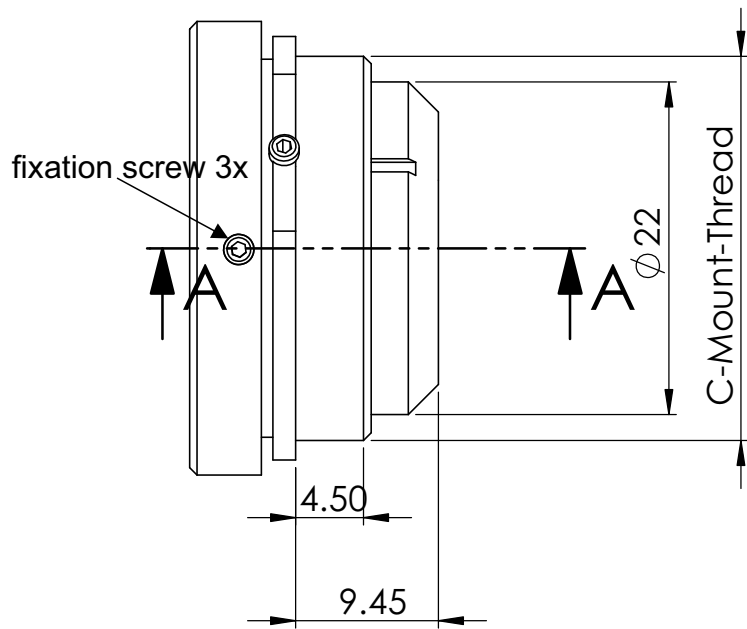


# AD050H



				NO.	00000
NO.	DESCRIPTION	MATERIAL	SIZE	Q'TY	REMARK
DRAWN		TOLERANCES			
CHECKED		ANGLE 1.2°	TITLE <b>AD050H</b>		
APPROVED		x. ± 0.2			
SCALE	2/1	⊙	.x ± 0.1		
			.xx ± 0.05		
			DRAW NO.	SHEET NO.	